

# Teconnex

MAKING CONNECTIONS





# Teconnex

**WORLD LEADER**

IN JOINTING TECHNOLOGIES

---

# Contents

About Us .....	04
Our History .....	05
Clamps .....	08 - 11
Product Diversification .....	12 - 13
Bellows .....	14 - 15
Aerospace .....	16 - 17
Power Solutions .....	18 - 19
Automation.....	20 - 21
Tooling.....	22 - 23
Our Directors .....	24 - 25

## About Us



Teconnex is a global leader in providing engineered solutions for the emissions market while investing in new technology through our Diversification Programme.



We provide a premium product with exceptional service from a dedicated and extremely talented team of specialist engineers.

With facilities in four continents, our continuous improvement has seen us diversify our production from more than just automotive applications.

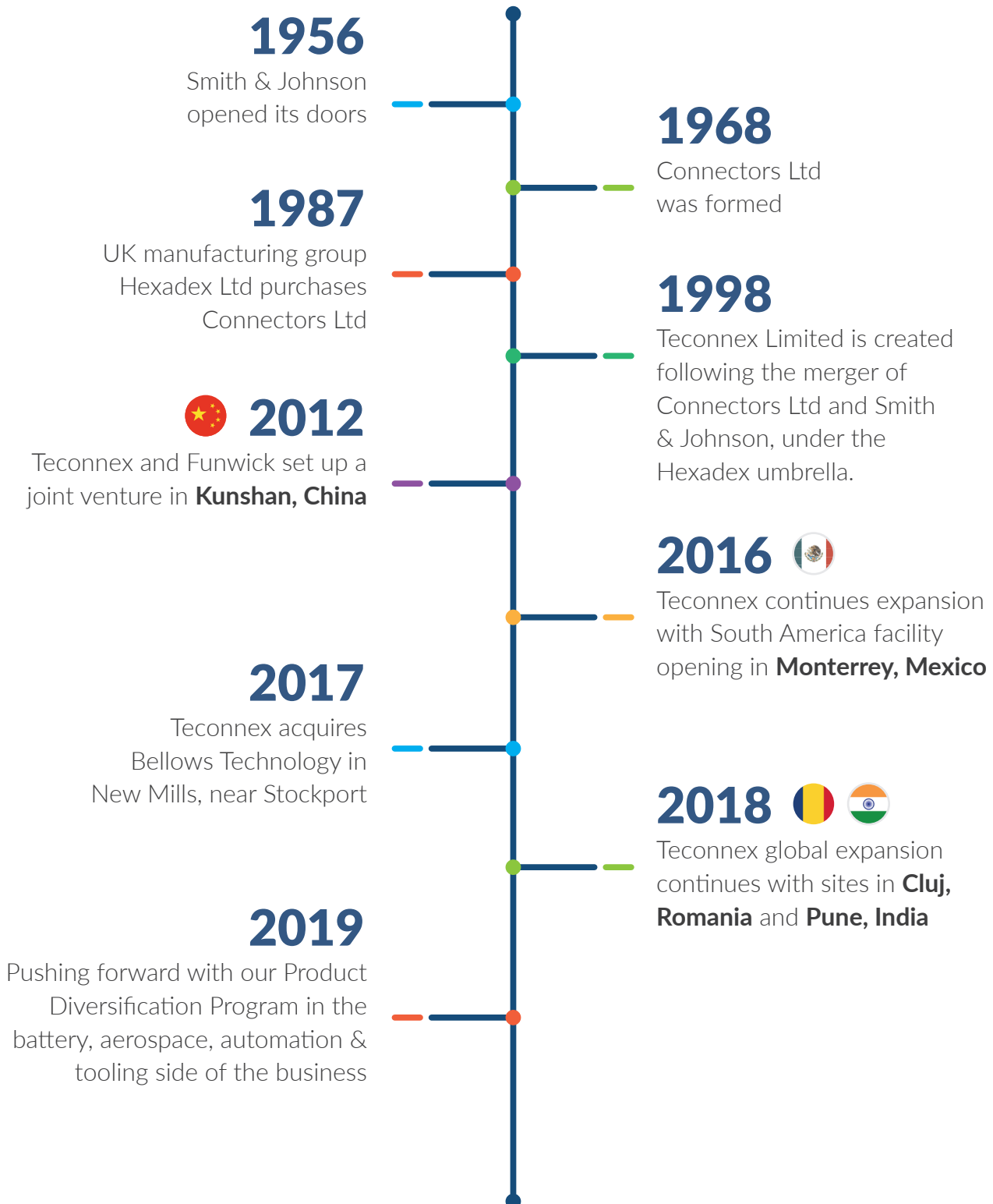
Our history began with manufacturing technical joint solutions but Teconnex today has expanded into the world of bellows, battery storage, aerospace, automation & tooling and more in the future.

OUR OTHER LOCATIONS



## Our History

Teconnex was formed as part of the Hexadex group when two well established V-Clamp manufacturers, Smith & Johnson and Connectors Ltd, were merged.



# WHAT



CLAMPS



POWER



AEROSPACE

# WE DO



BELLOWS



AUTOMATION



TOOLING





CLAMPS



Teconnex has built its foundations on providing bespoke clamping solutions, primarily for industrial and automotive applications such as commercial vehicles and non-road moving machines.

After half a century of dedication to designing and manufacturing clamps, we are global leaders in all clamp related projects.

Our experienced team uses Computer Aided Design (CAD), Finite Element Analysis (FEA) and a summary of calculations to optimise clamp design.

What makes our team of engineers special is our understanding of applications. Our application knowledge has been built from years of experience in providing solutions for multiple industries.

We can, therefore, help advise customers on the best clamp configuration for their application.



Our engineering team can design a jointing solution for a single component or a million parts. The design, costing, engineering and extensive testing all remains the same process, regardless of quantity.





## Standard Products

- V Clamps
- G Couplings
- Band Clamps
- Mounting Straps
- Gaskets



## Advanced Products

- Slip Joints
- Spherical Joint
- Dynamic Joints
- Integrated Gasket Clamp
- High Temperature
- High Pressure



## Future Emissions

- Integrated Sensor Clamp
- Insulated Solutions
- Lightweight Solutions
- Elliptical Substrate

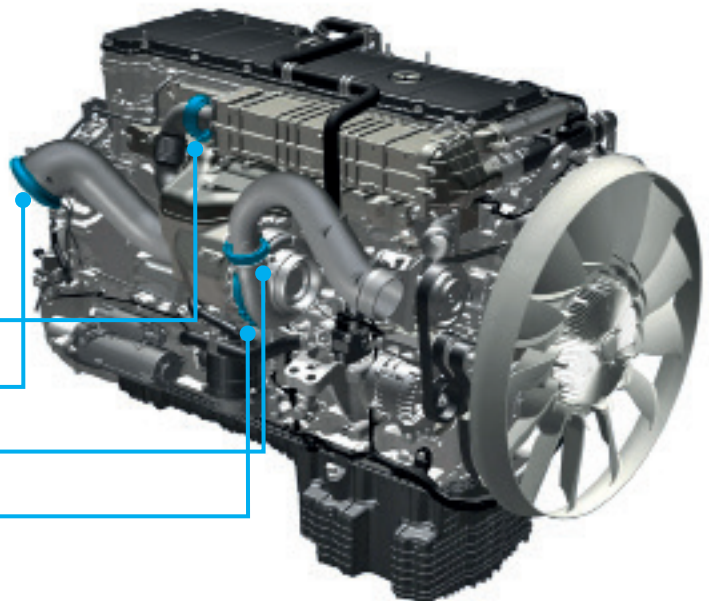
## Clamps in situ

V Clamp

Spherical Joint

V Clamp

Turbo Clamp





CLAMPS

We use our extensive in-house test facilities to provide us with the ability to validate products in application.



Our Global Local philosophy has created local manufacturing on four continents to support our customers on a global scale.

You deal with local people who are using local suppliers to help engineer a solution with the added bonus of helping to reduce the carbon footprint because shipping is not required.

All of our sites are working within recognised automotive and industrial regulated guidelines and quality standards.





# Product Diversification



Our Product Diversification Programme is part of our long-term strategy to help shape our future, but clamps will always be at the heart.

This exciting programme allows us to expand into many different sectors including Bellows, Aerospace, Power Solutions, Automation and Tooling.





BELLOWS



Our continued investment in Bellows technology has seen substantial growth as a solution provider of expansion joints, thermal compensators and flexible components.

We supply to both Industrial and commercial sectors, which includes original equipment manufacturers (OEM) build projects and parts for aftermarket within marine, energy, offshore, steam, nuclear and many others.

#### **Our product range:**

- Single Axial Expansion Joints
- Exhaust Expansion Joints
- Universal Expansion Joints
- Tied Lateral Expansion Joints
- Assembly Solutions
- Heavy Wall & Clam Shell Expansion Joints
- Pressure Balanced Pipe Expansion Joints
- Hinged or Angular Expansion Joints
- Gimbal Joint
- Flexible Pump Connector
- Hose Assemblies & Decouplers
- Rubber Bellows

Bellows can be manufactured in a wide range of diameters, from 20mm to 5000mm, in various grades of 300 series stainless steel and nickel alloy 718, 625 or monel for specialised applications.

Expansion joints are used in all piping systems that carry fluid, gas, or chemicals with temperature

variations. By providing the specific application details, our engineering team can develop a solution by taking into account the thermal expansion, vibration and movements axially. Laterally, or in angular planes, to develop a product specifically for the application.



If the customer only has certain space available, we can design the Bellows to work in that particular space. Taking into account the handling, support for ease of assembly, installation and any other challenges the customer faces. All Bellows are designed based on working with

the Pressure Equipment Directive (PED) and Expansion Joint Manufacturers Association (EJMA) regulations and guidance.



AEROSPACE

We have been at the forefront of manufacturing clamping products for the Aerospace industry for more than 30 years.

With both the AS9100 and NADCAP accreditations in the UK, we can assure customers our processes are fully defined.

We are currently in the process of accrediting and ensuring quality standards are met across our global sites.





# Materials & Mechanisms



We can manufacture these clamps using spot welding or riveting a variety of materials that are both lightweight and robust solutions.

**Most common materials used are:**

Aluminium • Nickel • Titanium • Stainless Steel

**Closure Mechanisms:**

Quick Release • T Bolted • Bolted Lever

The family of products we design are for specific applications and are created to customers specifications. All the products we design are verified by the relevant regulatory bodies in the region.

We supply into both Tier 1 and Tier 2 customers on a global platform, using our years of experience in the field to work with them to specify and validate product groups quickly and effectively.

Aerospace clamps are used in a wide range of applications, including power connections, cable looms, aircraft ventilation and other connections on the aircraft.





POWER

We have launched into the world of battery storage to help more and more commercial and industrial facilities become energy independent.



Experience the freedom of choice by no longer having to battle with utility companies or increasing energy prices.

Our all-in-one modular energy system can be stacked to increase energy storage capabilities to meet all your commercial or industrial needs.

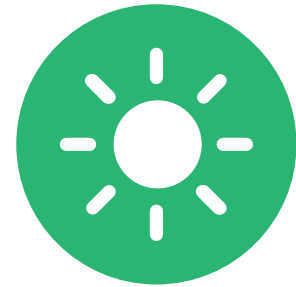


We provide solutions for applications such as solar energy, wind turbines, UPS (Uninterruptible Power Supply) power backup, localised energy, and more.

These solutions can also be used for a number of recreational activities such as mobile vehicles (static caravans, motorhome and RVs), boats and yachts.

Lithium-ion batteries provide your storage capacity and can also be upgraded easily if required at any point.

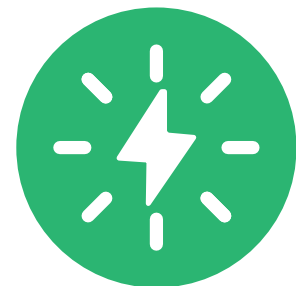




HARNESS



STORE



POWER

Compared with a lead iron battery, lithium-ion batteries have a longer life and provide a continuous source of power over long periods.

Battery storage helps you create a greener energy network for storing your converted energy and distributing it only when you need to.

With remote battery monitoring, you also can manage storage across multiple units in different locations to create a virtual power plant across your many sites.



AUTOMATION

After a number of years of manufacturing our own machinery to establish our global sites, we decided to utilise the engineering skillset within Teconnex UK to benefit our customers.

Our engineering and manufacturing teams came together to bring their processing knowledge of manipulating stainless steel to make it easier to create parts.

We decided to use these skills to supply automated manufacturing and material handling systems for external customers.

Our Automation team is able to manufacture both semi and fully automatic machinery.

Before we manufacture any equipment we consult with our customers to understand their processes and challenges.

Whether it is an issue with handling, manipulating, repeatability, or process speed we look at the requirements and develop a concept design to fit the overall process.

In many cases, designing solutions to speed up existing processes drastically improves product quality and reduces manufacturing costs.



We can quickly take a process idea straight to concept design, allowing our customers to visualise and further discuss a solution at the very early stages of a project.

All machinery supplied by Teconnex Automation is fully compliant with current legislation and is supplied with Maintenance and Operating manuals.





## TOOLING

Teconnex UK employs a core team of skilled toolmakers and designers who can expertly manufacture to a customer drawing or design tooling around specific component dimensions.





Our experience is based around press forming, offering single stage tooling solutions (crop, form, and pierce) and fully progressive form tools for high volume applications.

When manufacturing the tool, we carry out a full-dimensional evaluation so all key characteristics and tolerances are met.

On completion, we can provide a product trial while the tool is still on site.

We would normally run customer parts for testing and further develop a tool to optimise efficiency without the waste of extra time.

We also have the ability to modify or repair your existing equipment.

All manufacturing is completed within the guidelines of the **ISO 9000** quality system.



### Teconnex Career profile:

- Jan 2009 - Promotion 'Projects Manager'
- Jan 2016 - Promotion 'Engineering Director'
- Jan 2020 - Promotion 'Managing Director Designate'
- July 2020 - Promotion 'Managing Director'

## Chris Marsden Managing Director

Chris has been key in developing our global expansion of technical solutions, as well as creating our Global Local philosophy and the reduction in our carbon footprint.

He began his career at Teconnex in 2006 as a Project Engineer before working his way up in the company to become Managing Director.

He also helped the global coordination of APQP (Advanced Product Quality Planning) within the IATF16949 framework, as well as the implementation of Euro VI programmes with Tenneco, Eberspacher and Cummins.

Chris also took on full management of Teconnex India, dealing with everything from customer development and commercial negotiations to corporate structure and recruitment.



---

Our directors provide the drive and ambition as part of the key steering group to develop Tecconex's future.

Their knowledge has been gathered over years of working in engineering, as well connecting end user sectors to give us experience from a different perspective.

Our directors look to continue to develop the Global Local strategy as we advance our product production to ensure we are always able to create solutions for our customers' problems, no matter where they are in the world.



**Steve Pollard**  
**Diversification Director**



**Stephen Lucas**  
**Sales Director**



**Michael Love**  
**Global Manufacturing  
Operations Director**



**Kim Iverson**  
**HR / H&S Director**



**Ian Brown**  
**Technologies Director**



**Darren Spencer**  
**Finance & Commercial  
Director**





Teconnex

**WORLD LEADER**

IN JOINTING TECHNOLOGIES





## TECONNEX OFFICES

For comprehensive information or for details of your nearest Teconnex representation contact:

### UK Office:

**Teconnex Ltd**  
Bronte Works, Chesham Street,  
Keighley, West Yorkshire BD21  
4LG United Kingdom

**T:** +44 (0)1535 691122  
**E:** sales@teconnex.com  
**www.teconnex.com**

### Bellows Office:

**Bellows Technology Ltd**  
Dilworth & Morris Building, Hyde  
Bank Road, New Mills, SK22 4BP  
United Kingdom

**T:** +44 (0)1663 745873  
**E:** sales@bellowstechnology.com  
**www.bellowstechnology.com**

### Mexico Office:

**Teconnex Mexico S de RL de CV**  
Blvd Millenium 5100 . Parque  
Industrial Millenium  
Apodaca ,N.L. CP 66626 Mexico

**T:** +44 (0)1535 691122  
**E:** sales.mexico@teconnex.com  
**www.teconnex.com**

### European Office:

**Teconnex Europe S.R.L.**  
Street Principala , nr.4i ,  
Tureni , Cluj County,  
Post Code : 407560 Romania

**T:** +44 (0)1535 691122  
**E:** sales.europe@teconnex.com  
**www.teconnex.com**

### India Office:

**Teconnex India Ltd**  
"A" Block , PAP- S1 ,MIDC Phase II ,  
Chakan Ind. Area , Sawardari , Khed,  
Chakan , Pune-410501, India

**T:** ++ 91 9850 881288  
**E:** sales.India@teconnex.com  
**www.teconnex.com**

### China Office:

**Teconnex Funwick Co.,Ltd**  
No.38,Yuxi Road, Qiangeng Town,  
Kunshan, China

**T:** ++ 86 1391687 6332  
**E:** ye\_feng@teconnexfunwick.com  
**www.teconnex.com**

### Japan:

**Teconnex Japan**  
7F CJ Building, 2-7-4 Nishi-Shimbashi, Minato-  
Ku, Tokyo  
105-0003 JAPAN

**T:** +81 (0)3 5579 9277  
**E:** ferdinand.baulez@intralinkgroup.com  
**www.teconnex.com**

## AGENTS & DISTRIBUTERS

For comprehensive information or for details of your nearest Teconnex Agent or Distributor contact:

### Korea:

**SnD Tech Company**  
#412B-dong, SamwhanhipexB/D,  
230 Pangyoeyeok-ro, Bundang-gu,  
Seongnam-si, Gyeonggi-do,  
Korea, 13493

**T:** 00 82 31 726 2329  
**E:** harrison.song@sndtech.net  
**www.teconnex.com**

### USA:

**DisCom International**  
50421, E Russell Schmidt Blvd,  
Chesterfield, MI 48051, USA

**T:** ++1 (586) 421 9969  
**E:** sales.discom@teconnex.com  
**www.teconnex.com**

### USA:

**Martin R. Nelson & Associates**  
Aerospace Specialist  
PO Box 342, Tecumseh,  
MI 49286 USA

**T:** ++1 (248) 459 3161  
**E:** sales.aerospace@teconnex.com  
**www.teconnex.com**

### Germany:

**Stahlcon GmbH**  
Robert-Bosch-Strasse 4, 71144  
Steinenbronn, Germany

**T:** 00 49 7157 53860  
**E:** info@stahlcon.de  
**www.stahlcon.de**

### Germany:

**Karl Berrang GmbH**  
Elsa-Brändström-Straße 12, 68229  
Mannheim, Germany

**T:** + 49 621 8786 109  
**E:** facon.aero@berrang.de  
**www.berrang.de**